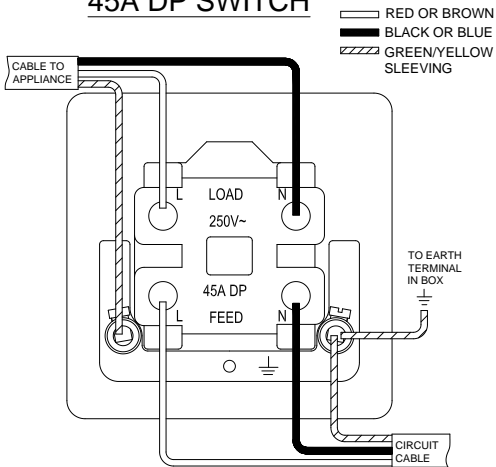


Wiring Accessories

Fitting and Wiring Instructions

- 1). Before commencing work, isolate the mains power supply and remove the fuse in the fuse box or switch off the circuit breaker in the consumer unit.
- 2). If unit is to be used as a replacement for an existing product, remove existing unit from its location and disconnect the wiring.
- 3). Certain items in the range will not fit into a 4 lug box. If such a box has been previously installed the top and bottom lugs should be removed or bent back to avoid contact with the interior.
- 4). Connect the wires as shown in appropriate wiring diagrams overleaf. Use green/yellow sleeving on earth conductors that are not insulated. Ensure terminals are properly tightened and no bare wire is visible. Push back unit into mounting box making sure conductors are not trapped.
- 5). Screw the unit module to the mounting box, please ensure screws are sufficiently tight to support the product but please do not over tighten as this may cause some deformation.
- 6). To reduce the risk of discolouration or tarnishing, avoid installation on wet plaster.
- 7). **These products must be installed in accordance with the latest Building and IEE wiring regulations. If in any doubt, please contact a qualified electrician.**

45A DP SWITCH



45A COOKER CONTROL UNIT

